



Wells HVAC Supply
 930 W 21st St, Chicago, IL 60608
 Tel: (312) 800-8455
 Website: www.wellshvacsupply.com

SUBMITTAL DATA SHEET

| Multi Zone Heat Pump | |
|--|--|
| Location: _____ Engineer: _____ Submitted to: _____ Submitted by: _____ Reference: _____ | Approval: _____ Date: _____ Construction: _____ Unit #: _____ Drawing #: _____ Inquiry: sales@wellshvacsupply.com |

| | |
|--------------------|------------------------------|
| Set Code | 22022310003467 |
| Indoor unit code | 2202201101662322022011016701 |
| Outdoor unit code | 22022316001766 |
| Set Model | |
| Indoor unit model | Ductless Indoor Units |
| Outdoor unit model | WMCA-55HFMO |
| Certified | |
| AHRI | |
| UL | |



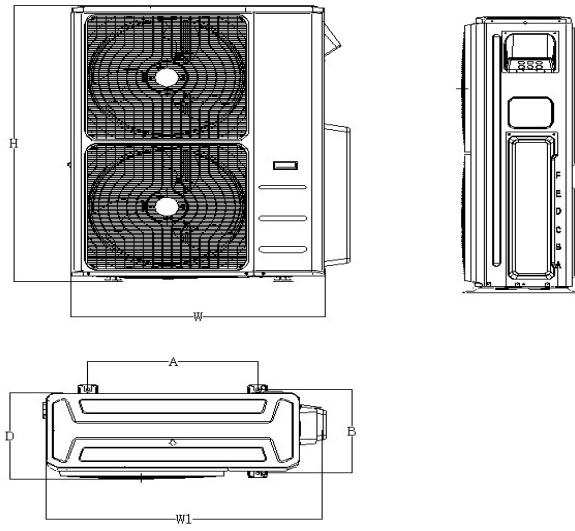
| SYSTEM PERFORMANCE DATA | | | |
|----------------------------|-------------|--------------------|----------------------|
| Power supply | | | |
| Normal Operational Voltage | (V, Ph, Hz) | 208/230V, 1Ph, | 60Hz |
| Voltage Range | (V) | | 187-253 |
| Electrical | | | |
| Minimum circuit ampacity | (A) | | 40.0 |
| Max.fuse | (A) | | 60.0 |
| Connection wiring | | 14AWG*4 | Stranded, unshielded |
| Cooling | | | |
| Capacity | (Btu/h) | 55000(11600-56500) | |
| Power Input | (W) | 5238(810-5800) | |
| Current | (A) | 23.5(3.9-26) | |
| SEER2 | (Btu/W) | | 20.0 |
| EER2 | (Btu/W) | | 10.5 |
| Heating | | | |
| Capacity | (Btu/h) | 55000(33000-63000) | |
| Power Input | (W) | 5117(2860-5650) | |
| Current | (A) | 22.5(12.7-25.5) | |
| HSPF2-4 | (Btu/W) | | 9.3 |
| HSPF2-5 | (Btu/W) | | 7.0 |
| COP | W/W | | 3.15 |
| Heat at 17F(H32) | (Btu/h) | | 34800 |
| Heat at 5F(H42) | (Btu/h) | | 45500 |
| COP at 5F(H42) | W/W | | 1.80 |

| OUTDOOR UNIT DATA | | | |
|-------------------|-----------|--|----------|
| Outdoor(cooling) | (Deg. °F) | | 5~122 |
| | (Deg. °C) | | -15 ~ 50 |
| Outdoor(heating) | (Deg. °F) | | -22 ~ 75 |
| | (Deg. °C) | | -30 ~ 24 |

| REFRIGERANT PIPE DATA | | | |
|--|---------|---------------|---------|
| Design pressure | (PSIG) | | 550/340 |
| Refrigerant Type | | | R410A |
| Refrigerant charge | oz | | 162.3 |
| Refrigerant precharge | (ft) | | 25x5 |
| Additional charge for each ft (Φ6.35 (1/4") liquid pipe) | (oz/ft) | | 0.16 |
| Additional charge for each ft (Φ9.52 (3/8") liquid pipe) | (oz/ft) | | 0.32 |
| Liquid side | (inch) | 5x1/4" | |
| | (mm) | 5x6.35 | |
| Gas side | (inch) | 3x3/8"+2x1/2" | |
| | (mm) | 3x9.52+2x12.7 | |
| Max. length for all rooms | (ft) | | 262.5 |
| | (m) | | 80.0 |
| Max. length for one indoor unit | (ft) | | 114.8 |
| | (m) | | 35.0 |
| Max. height difference between indoor and outdoor unit | (ft) | | 49.2 |
| | (m) | | 15.0 |
| Max. height difference between indoor units | (ft) | | 33.0 |
| | (m) | | 10.0 |

| OUTDOOR UNIT DATA | | | |
|-----------------------------------|---------|-------------------|-----------------|
| Compressor | | | |
| Type | | | ROTARY |
| Model | | | EAPQ420D1UMUA |
| Brand | | | GMCC |
| Capacity | (Btu/h) | | 44015 |
| Input | (W) | | 3565 |
| Rated current (RLA) | (A) | | 25 |
| Refrigerant oil/oil charge | (ml) | 1460±15ml | ESTER OIL VG74 |
| Outdoor fan motor | | | |
| Model | | | ZKFN-85-8-22-5 |
| Qty | | | 2 |
| Input | (W) | | 126.00 |
| Output | (W) | | 85.00 |
| RLA | (A) | | 2.50 |
| Speed | (r/min) | | 900/850/800/750 |
| Air flow & Noise level | | | |
| Outdoor air flow (Max.) | (CFM) | | 4500.00 |
| Outdoor noise level | [dB(A)] | | 62.00 |
| Outdoor unit | | | |
| Dimension (W×D×H) | (inch) | 37.48x16.34x52.48 | |
| | (mm) | 952x415x1333 | |
| Packing (W×D×H) | (inch) | 43.11x19.49x58.27 | |
| | (mm) | 1095x495x1480 | |
| Net/ Gross weight | (lbs.) | 233.03/265.87 | |
| | (kg) | 105.7/120.6 | |

Outdoor unit dimension



| Unit [Ⓢ] | W [Ⓢ] | D [Ⓢ] | H [Ⓢ] | W1 [Ⓢ] | A [Ⓢ] | B [Ⓢ] |
|-------------------|-------------------|-------------------|-------------------|-------------------|-------------------|-------------------|
| mm [Ⓢ] | 952 [Ⓢ] | 415 [Ⓢ] | 1333 [Ⓢ] | 1060 [Ⓢ] | 634 [Ⓢ] | 404 [Ⓢ] |
| inch [Ⓢ] | 37.5 [Ⓢ] | 16.3 [Ⓢ] | 52.5 [Ⓢ] | 41.7 [Ⓢ] | 25.0 [Ⓢ] | 15.9 [Ⓢ] |